



POWERWALL BAYYERY

NX24100 solutions integrate green energy with a leading home storage portfolio for intelligent control and power outage protection. Our home battery uses lithium iron phosphate (LFP) battery technology. Perfectly matched with hybrid inverters, maximizes energy output, enhances self-consumption, and facilitates backup power.



Long Life And Safety
6000 cycles with 80% DOD,
high-quality prismatic battery cell



Backup Protection
Stores energy, detects outages and
automatically becomes energy source

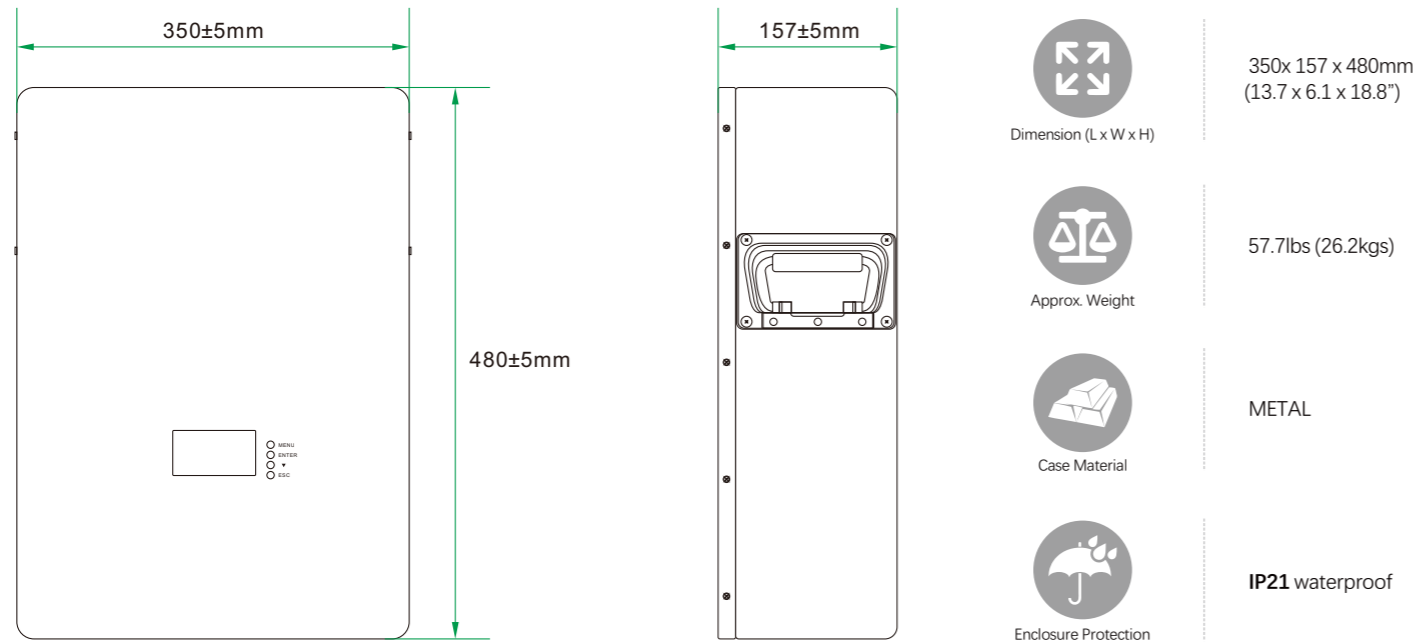


Intelligent
With independent smart BMS system,
manages power output effectively



Plug In And Play
Plug in batteries then working, easy to
install and set up

PRODUCT PARAMETERS

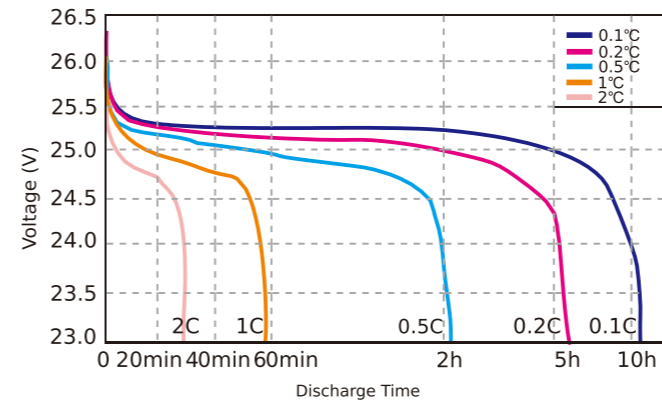


Prodct Model	NX24100
Nominal Voltage	24V
Nominal Capacity	100Ah/2400Wh
Cell Type	LiFePO4
Composition	8S1P
Charging Cutoff Voltage	29.2V
Discharge Cut-off Voltage	20V
Maximum Continuous Discharge Current	50A
Instantaneous Discharge Current	100A
Display	LCD display screen/touch screen display screen
Standard Charging Current	<25A
Standard Discharge Current	50A
Charge Suitable Temperature	0°C~45°C
Discharge Suitable Temperature	-20°C~65°C
Communication Interface	CAN/RS232/RS485
Cooling Method	Natural cooling
Transport Classification	UN38.3/MSDS/Sea/Air
Battery Protection Function	Overcurrent, Overvoltage, Overcharging, Overdischarge, Short circuit, etc

CHARGING AND DISCHARGING CHART

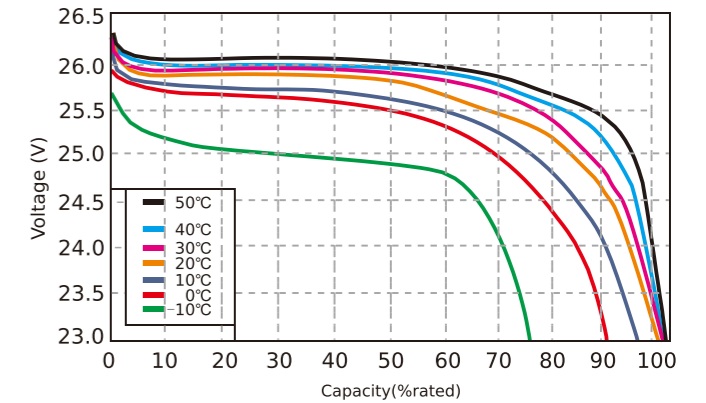
Different Rate Discharge Curve

Different Rate Discharge Curve @25°C



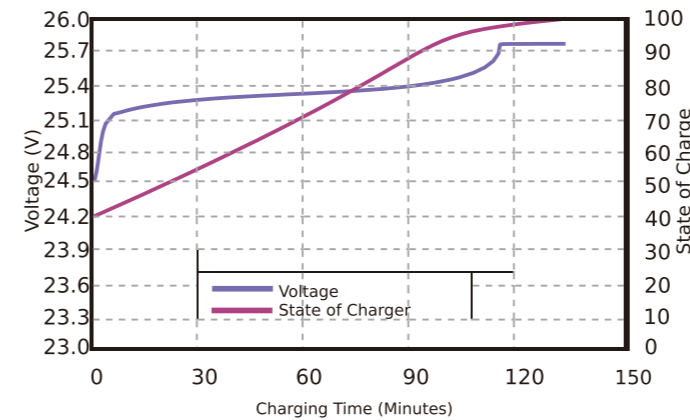
Different Temperature Discharge Curve

Different Temperature Discharge Curve @0.5C



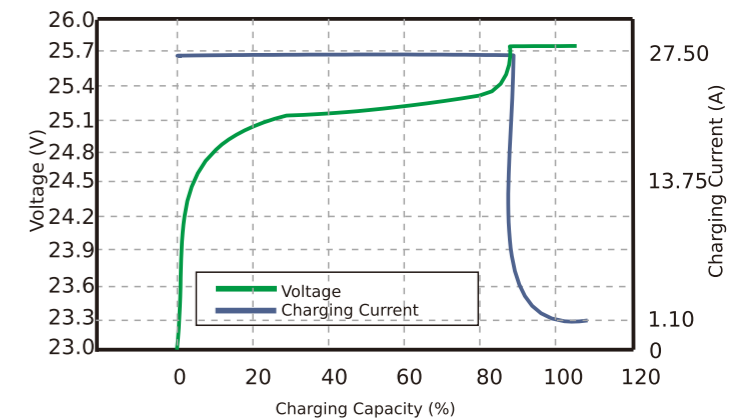
State of Charge Curve

State of Charge Curve @0.5C 25°C



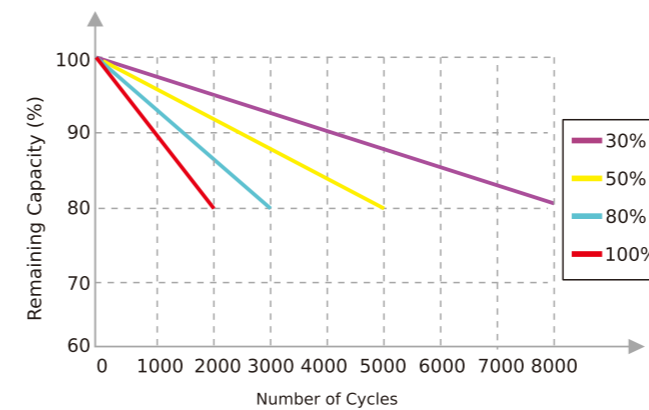
Charging Characteristics

Charging Characteristics @0.5C 25°C



Cycle Life Curve

Different DOD Discharge Cycle Life Curve @1C



Self Discharge Characteristics Curve

Different Temperature Self Discharge Curve

